

2920/202B

COMPUTER APPLICATIONS II

November 2017

Time: 1 hour



THE KENYA NATIONAL EXAMINATIONS COUNCIL

DIPLOMA IN INFORMATION COMMUNICATION TECHNOLOGY

MODULE II

COMPUTER APPLICATIONS II

Practical

1 hour

INSTRUCTIONS TO CANDIDATES.

*You have **ten** minutes to read through the instructions and questions before starting the examination.*

Any problem with the computer should be reported to the invigilator immediately.

Direct any question(s) to the invigilator only. Conversing with fellow students may lead to disqualification.

*Write your **name** and **index number** on the rewritable CD.*

*Type **your name** as a header on each sheet of paper used.*

*This paper consists of **TWO** tasks. Perform the **TWO** tasks.*

*Each task carries **20** marks.*

Read the instructions of each task carefully.

*Print on **one** side of the paper(s) only and use a fresh sheet of paper for each task.*

*Hand over your **printout** and the **Rewritable CD** to the invigilator at the end of the examination.*

This paper consists of 6 printed pages.

Candidates should check the question paper to ascertain that all the pages are printed as indicated and that no questions are missing.

GENERAL INSTRUCTIONS TO CANDIDATES

1. Create a folder named **KNECEXAM** on the desktop.
2. Ensure that the **KNECEXAM** folder and all its content is burnt onto the Rewritable CD provided at the end of the examination.

Edunotes.co.ke

TASK 1

(a) Open a CAD program and make the following settings:

- (i) Units: millimetres; (½ mark)
- (ii) Precision: 0 decimal place; (½ mark)
- (iii) Length type: Decimal. (½ mark)

(b) Insert two layers with the following properties:

(1 mark)

Layer name	Line weight
Edges	0.8 mm
Dimen	0.2 mm

(c) (i) Draw figure 1 as it appears on the layer named *Edges* using the indicated dimensions.

(8 marks)

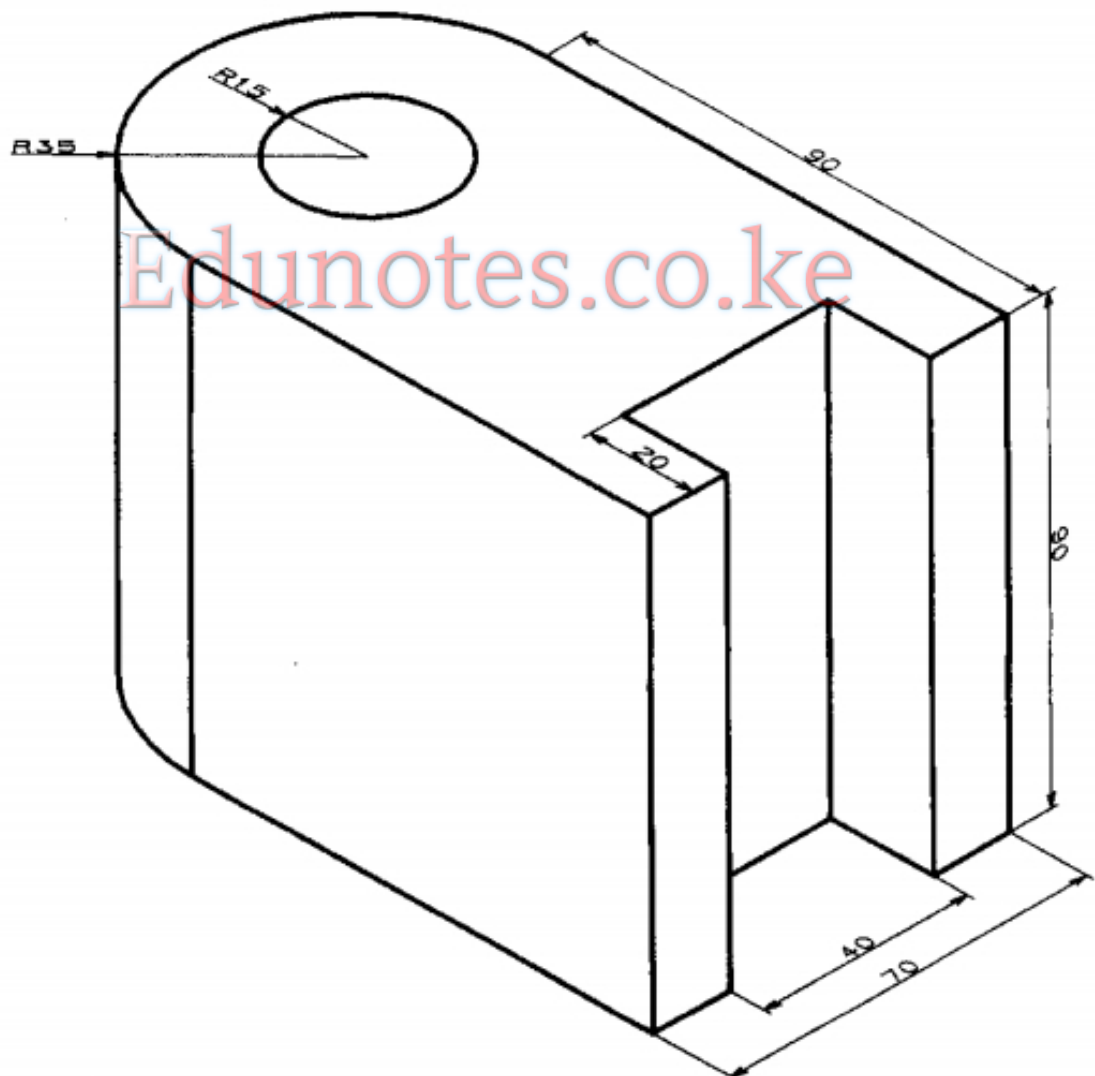


Figure 1

- (ii) (I) Fully dimension the drawing on the layer named *Dimen*. (5½ marks)
- (II) Change the dimension arrow heads as it appears in the drawing. (1 mark)
- (d) Save the drawing as *BLOCK* in the **KNECEXAM** folder. (1 mark)
- (e) Print out later each of the following views of the drawing.
- (i) The isometric view; (1 mark)
- (ii) The plan view. (1 mark)

Edunotes.co.ke

TASK 2

Kigecha Timber Merchant Limited of P. O. Box 6825-00250 Misitu, is a timber merchant. Record the following financial details and transactions for the company using an accounting program for the year starting 1st November, 2016.

Balances as at 1st November 2016

	Kshs.
Workshop Equipment - cost	4,100,000
Motor vehicles - cost	2,350,000
Debtors: Msasa Furniture	340,000
Kurura Designs	206,000
Creditors: Migogo Loggers Ltd	440,000
Kivu Hardwoods	625,000
Bank (BK Misitu)	286,520(cr)
Cash	215,480

Stock:

Timber sizes	Feet	Cost per foot	Price per foot
2X2	5000	14	22
3X2	3000	20	32
4X2	2000	30	42
6X1	5000	38	45

The business had the following transactions during the months of November and December 2016.

Cash Sales

November 10	2000 feet 3X2 at a price of Ksh 32 per foot paid cash
November 13	320 feet 2X2 at a price of Ksh 21 per foot paid by cheque
December 2	420 feet 6X1 at a price of Ksh 45 per foot paid cash
December 27	650 feet 4X2 at a price Ksh 44 per foot paid by cheque

Cash Purchases

November 14	400 feet 2X2 at a cost of Ksh 13 per foot cash
	620 feet 3X2 at a cost of Ksh 20 per foot cash
December 6	600 feet 4X2 at a cost of Ksh 28 per foot by cheque
December 17	1000 feet 6X1 at a cost of Ksh 38 per foot, 820 feet 3X2 at a cost of Ksh 19 per foot by cheque

Credit Purchases

November 7	1500 feet 2X2 from Migogo Loggers Ltd at a cost of Ksh 11 per foot
	1000 feet 3X2 from Kivu Hardwoods at a cost of Ksh 20 per foot
December 4	6000 feet 2X2 from Migogo Loggers Ltd at a cost of Ksh 13 per foot
December 22	6000 feet 4X2 at a cost of Ksh 30 per foot from EP Plywoods Ltd

Invoices issued

November 7	Msasa Furnitures 4000 feet 2X2 at a price of Ksh 23 per foot
	Msasa Furnitures 2000 feet 4X2 at a price of Ksh 44 per foot
December 2	Kurura Designs 4000 feet 6X1 at a price of Ksh 42 per foot

Expenses paid by cash

November 7	Rent of Ksh.82,500
	Wages Ksh.291,620
	Electricity Ksh.48,350
	Lunches Ksh.16,600
December 14	Rent Ksh. 42,400
	Transport Ksh98,600
	Wages Ksh 420,800

Other transactions

November 6 Bought timber treatment chemicals worth Ksh 120,000 paid by cheque.

Payments made or Received

November 10 Paid Migogo loggers ltd Ksh.440,000 by cheque.

December 4 Paid Kivu Hardwoods Ksh 30,000 by cash.

December 28 Received cheque of Ksh 400,000 from Msasa Furniture.

December 30 Kurura Designs paid their debt in full by cash.

Generate and print the following reports:

- (a) The Balance Sheet as at 1st November 2016. (6 marks)
- (b) The Profit & Loss A/c for the 2 months. (6 marks)
- (c) The Trial Balance as at 31st December 2016. (8 marks)

Edunotes.co.ke

THIS IS THE LAST PRINTED PAGE.