

Name: _____ Index No. _____ / _____

2503/104
ENGINEERING DRAWING I
Oct./Nov. 2014
Time: 3 hours

Candidate's Signature: _____

Date: _____



THE KENYA NATIONAL EXAMINATIONS COUNCIL
DIPLOMA IN AUTOMOTIVE ENGINEERING
MODULE I

ENGINEERING DRAWING I

3 hours

INSTRUCTIONS TO CANDIDATES

*Write your name and index number in the spaces provided above.
Sign and write the date of the examination in the spaces provided above.
You should have the following for this examination:*

*A3 Drawing paper;
Drawing instruments.*

*This paper consists of TWO sections A and B.
Answer ALL questions in section A and any other two questions from section B.
Maximum marks for each part of a question are as shown.
All dimensions are in millimeters.
Do NOT remove any pages from this booklet.
Candidates should answer the questions in English.*

For Examiner's Use Only

Section	Question	Maximum Score	Candidate's Score
A	1	30	
	2	30	
B		20	
		20	
Total Score			

This paper consists of 5 printed pages.

Candidates should check the question paper to ascertain that all the pages are printed as indicated and that no questions are missing.

SECTION A: (Compulsory)

Answer ALL questions in this section.

1. Figure 1 shows the front elevation and plan of pipe intersecting a regular hexagonal pyramid of length 70 mm A/C. Draw the following in first angle projection:
- (i) complete front elevation with line of interpenetration;
 - (ii) complete plan;
 - (iii) complete end elevation.

(30 marks)

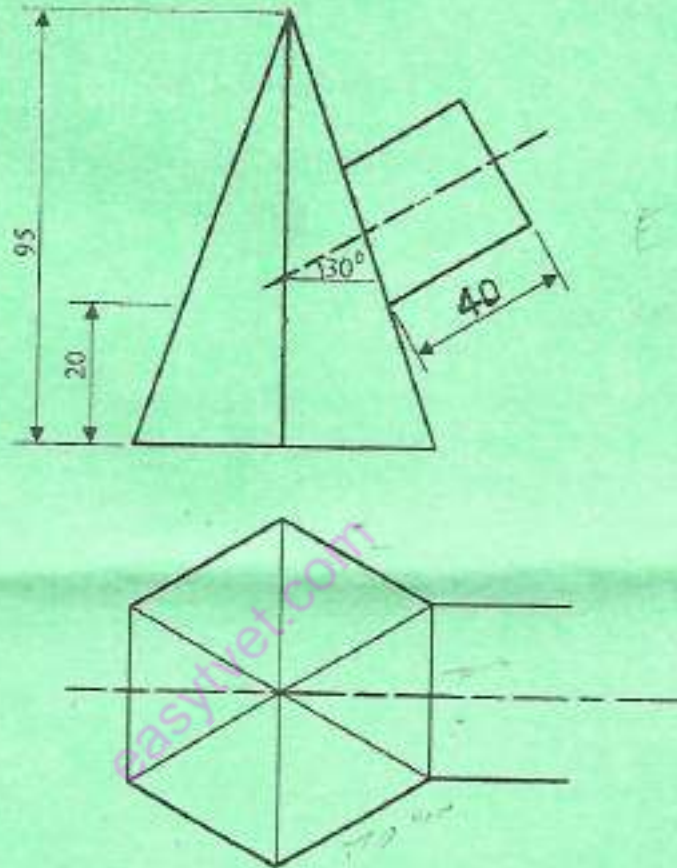


Fig. 1

2. Figure 2 shows the views of a machined bracket drawn in first angle projection. Draw full size, the bracket in isometric projection with corner Y as the lowest point. (30 marks)

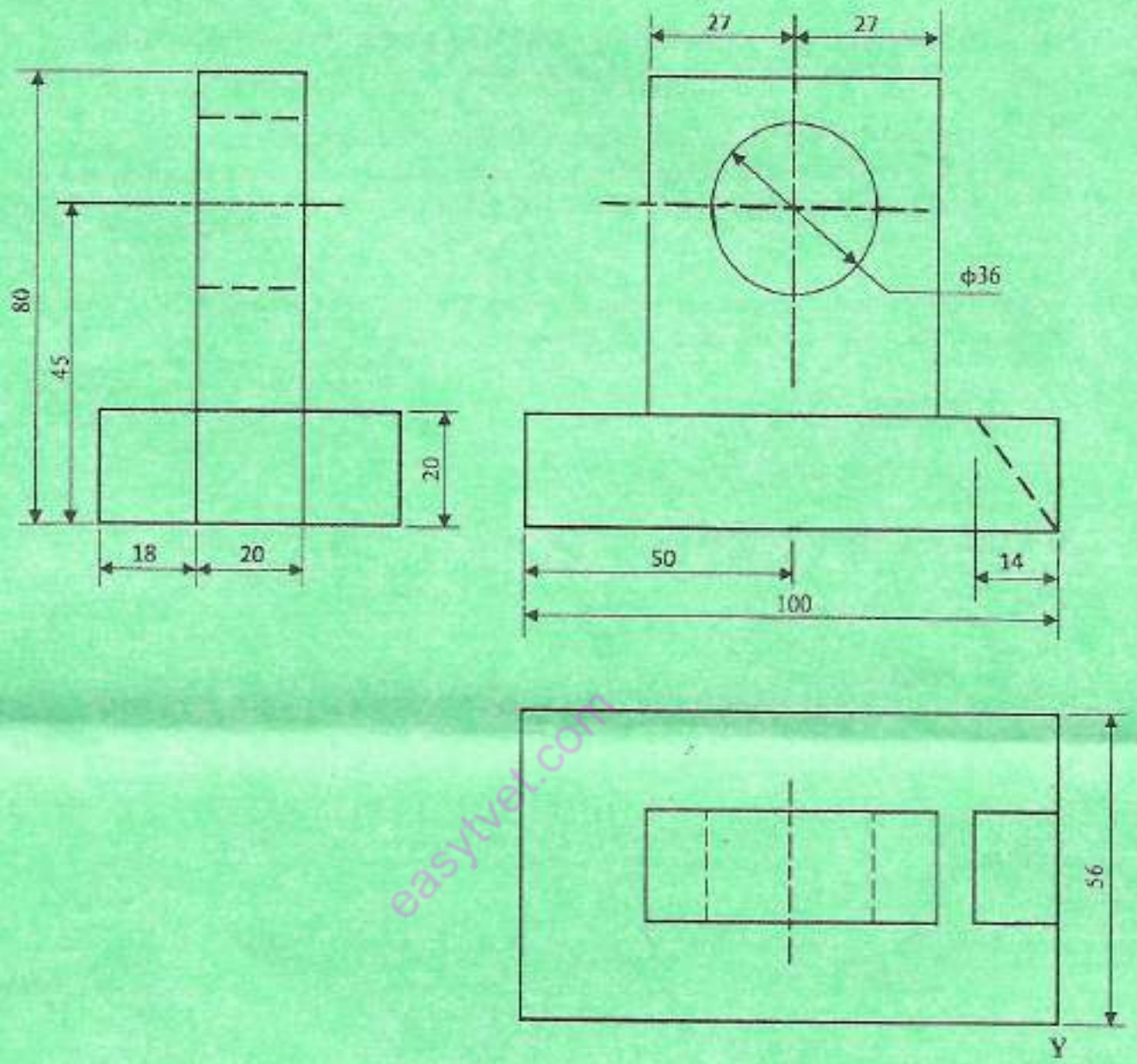


Fig. 2

5. Figure 4 shows the profile of a jack plane's handle. Construct the profile.

(20 marks)

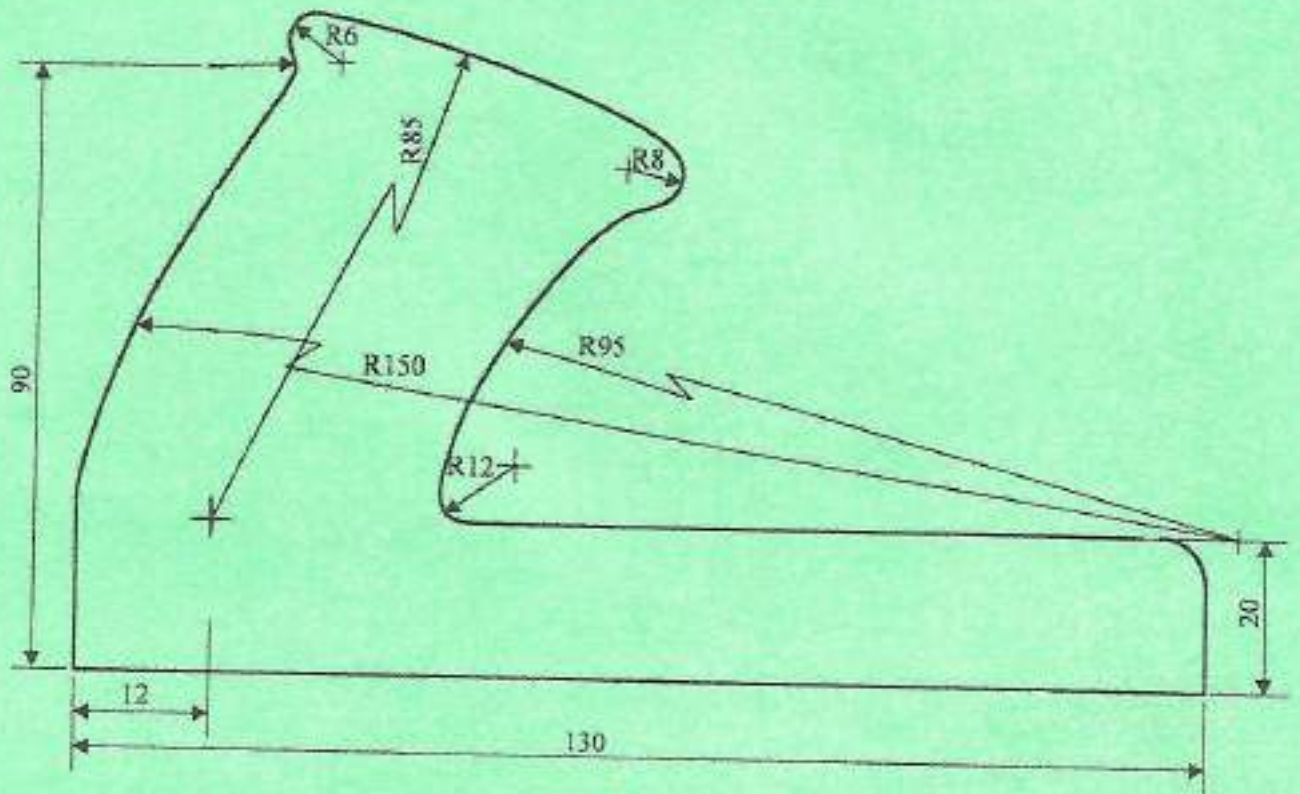


Fig. 4

easytvet.com