

071306T4EEN

Electrical Engineering (Power Option) Level 6

ENG/OS/PO/CR/03/6

Install Electrical Machine

July/August 2023

Time: 2 Hours



**TVET CURRICULUM DEVELOPMENT, ASSESSMENT AND CERTIFICATION
COUNCIL (TVET CDACC)**

easytvet.com

INSTRUCTIONS TO ASSESSOR

1. Ensure all the materials and equipment are provided.
2. You are required to mark the practical as the candidate performs the tasks.
3. You are required to take video clips at critical points.
4. Ensure the candidate has a name tag and registration code at the back and front.

This paper consists of four (4) printed pages.

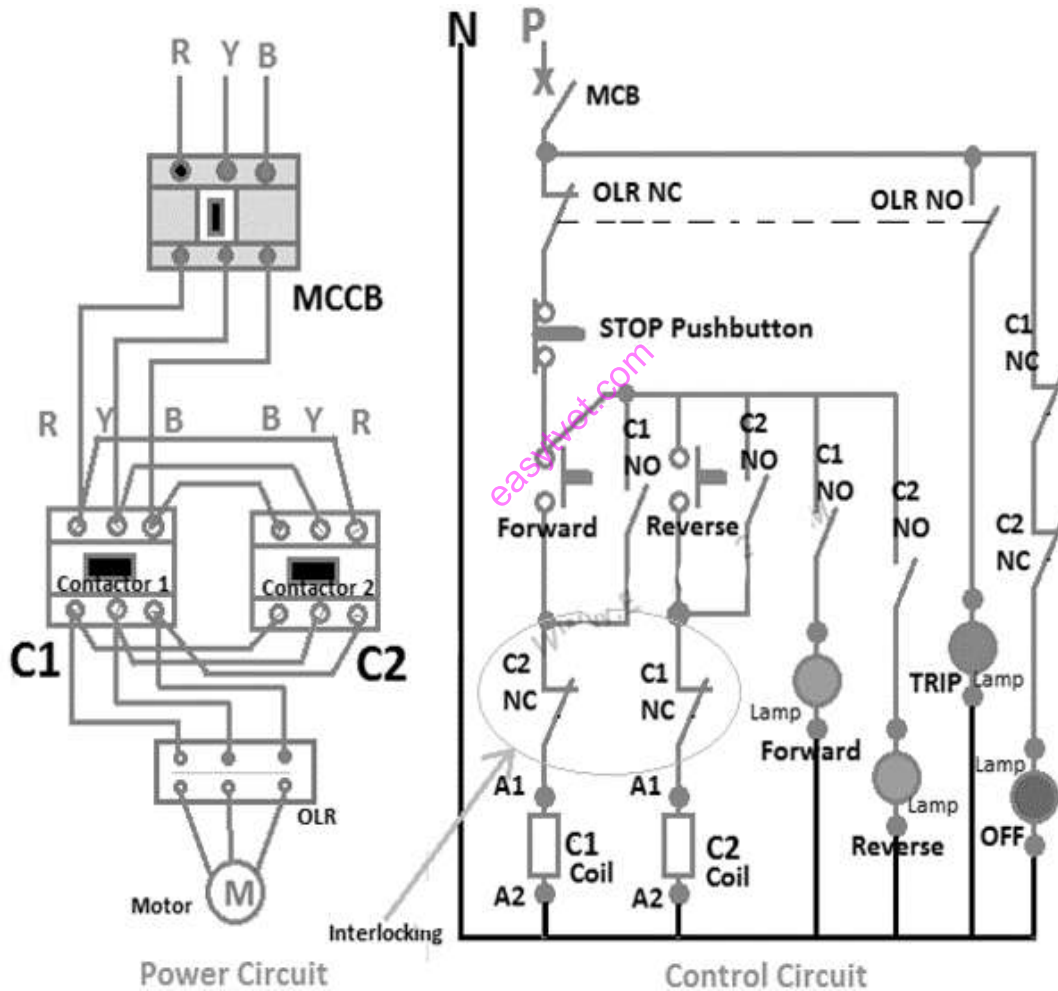
Assessor should check the tool to ascertain that all the pages are printed as indicated and that no question is missing.

Candidate's name & Registration No.			
Assessor's name & Reg. code			
Unit(s) of Competency			
Venue of Assessment			
Date of assessment			
Items to be evaluated: <i>(Award marks as appropriate for each item evaluated)</i>		Marks available	Marks obtained
OBSERVATION CHECKLIST			
1. Wore safety clothing			
i. Safety boots <i>(Award 1 or 0)</i>		1	
ii. Apron <i>(Award 1 or 0)</i>		1	
iii. Proper handling of tools <i>(Award 1 or 0)</i>		1	
2. Observed colour code <i>(Award 1 or 0)</i>		1	
Sub Total		4	
PRODUCT CHECKLIST			
TASK 1			
3. Listed tools to be used <i>(award any $4 \times \frac{1}{2}$)</i>		2	
4. Estimated Material <i>(award any 6×1)</i>		6	
Sub-total		8	
TASK 2			
5. Fixed equipment (firm and level)			
<i>Contactors</i> <i>(award 2×1)</i>		2	
<i>Overload thermal relay</i> <i>(award 1×1)</i>		1	

<i>Push Buttons (award 3 × 1)</i>	3		
6. Erected PVC conduits			
i. Correct Dimensions (<i>award any 4× 1</i>)	4		
ii. Correct termination (<i>award any 8× $\frac{1}{2}$</i>)	4		
iii. Firm conduits mounting (<i>award any 4× $\frac{1}{2}$</i>)	2		
iv. Level conduits mounting (<i>award any 4× $\frac{1}{2}$</i>)	2		
7. Correct circuit connection			
i. Power Circuit termination (<i>award any 8× 1</i>)	8		
ii. Control Circuit termination (<i>award any 8× 1</i>)	8		
iii. Correct cable choices (<i>award 2 or 0</i>)	2		
8. Neatness (<i>award 2 or 0</i>)	2		
Sub-total	38		
Task 3			
9. Correct circuit operation (<i>award 10 or 0</i>)	10		
Sub-total	10		
10. Performed the following tests			
i. Continuity test	1		
ii. Insulation resistance test	1		
iii. Polarity test	1		
Sub-total	3		
Total marks	63		
The candidate was found to be: (Please tick (√) as appropriate)			
Competent	<input type="checkbox"/>	Not yet competent	<input type="checkbox"/>
<i>(The candidate is competent if the candidate scores 50% and above)</i>			
Feedback from candidate:			

<i>Feedback to candidate:</i>	
<i>Candidate's signature:</i>	<i>Date:</i>
<i>Assessor's signature:</i>	<i>Date:</i>

The Correct Wiring diagram



THIS IS THE LAST PRINTED PAGE