

071306T4EEN

ELECTRICAL ENGINEERING (POWER OPTION) LEVEL 6

ENG/OS/PO/CR/06/6

Install Security Systems

July/August 2025



**TVET CURRICULUM DEVELOPMENT, ASSESSMENT AND CERTIFICATION
COUNCIL (TVET CDACC)**

PRACTICAL ASSESSMENT

Time: 3 HOURS

INSTRUCTIONS TO CANDIDATE:

1. Figure 1 shows a layout of burglar alarm system. You are required to perform the following tasks:

TASK 1: Install the circuit on the surface provided such that:

- i. The system triggers an alarm.
- ii. Vibration is sensed.
- iii. Siren rings.

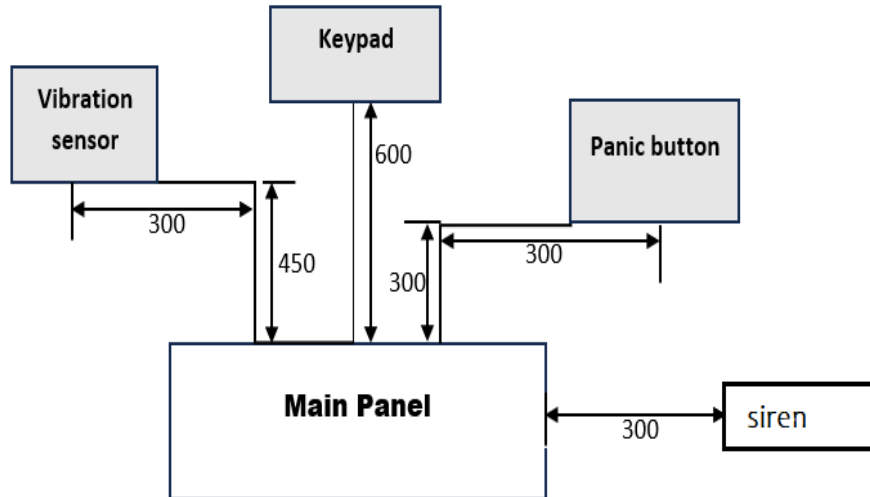


Figure 1

You have been provided with the following resources for the practical tasks:

- i. Main panel
- ii. Panic button
- iii. Vibration Sensor
- iv. Connecting cables
- v. Power supply
- vi. Siren

easyvet.com

2: Figure 2 shows the layout of the CCTV installation. You are required to perform the following tasks:

TASK 2: List the materials required for the installation of the CCTV using the format below.

S. No	Item Description	Unit of Measure	Quantity
1.			
2.			
3.			

TASK 3: Mount the cameras.

TASK 4: Configure the DVR to view the images.

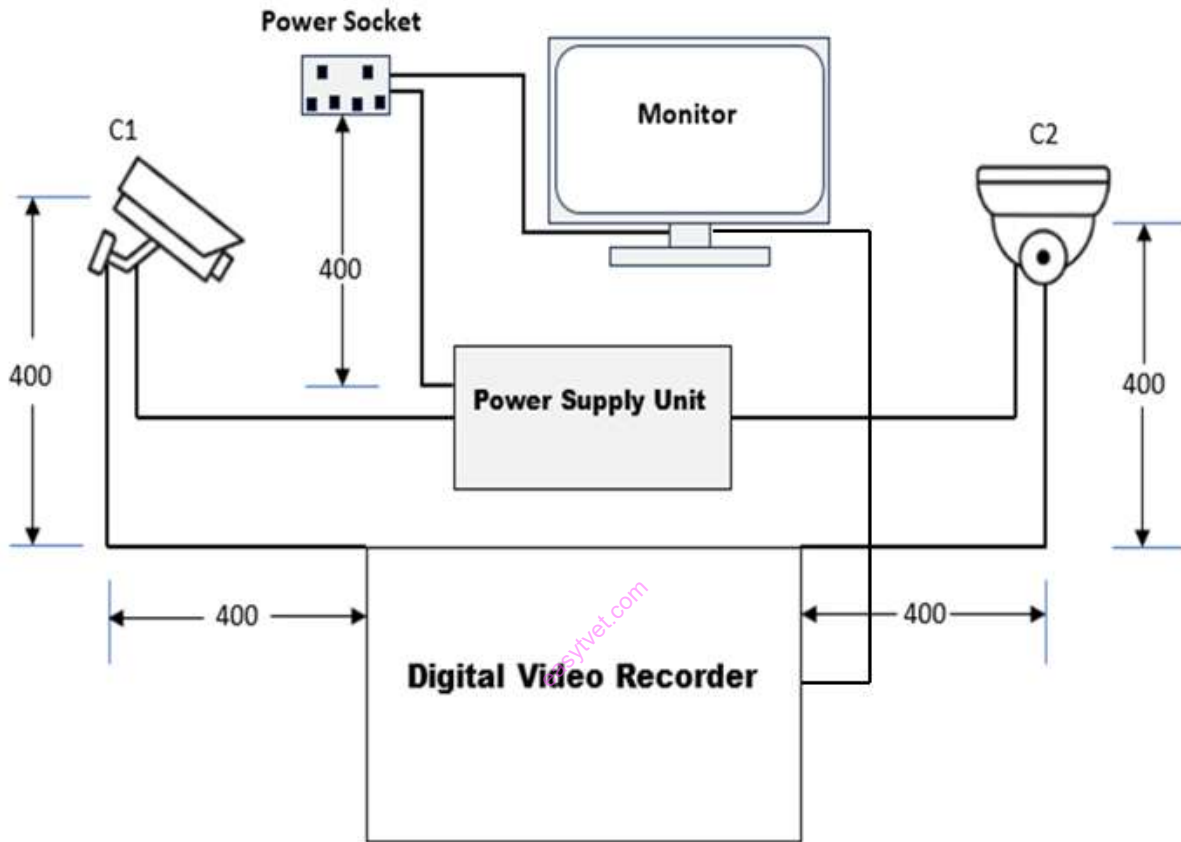


Figure 2