

073105T4ARC

ARCHITECTURAL DRAFTSMANSHIP LEVEL 5

CON/OS/ARC/CR/04/5/A

Install Building Finishes and Fittings

March/April 2025



**TVET CURRICULUM DEVELOPMENT, ASSESSMENT AND CERTIFICATION
COUNCIL (TVET CDACC)**

PRACTICAL ASSESSMENT

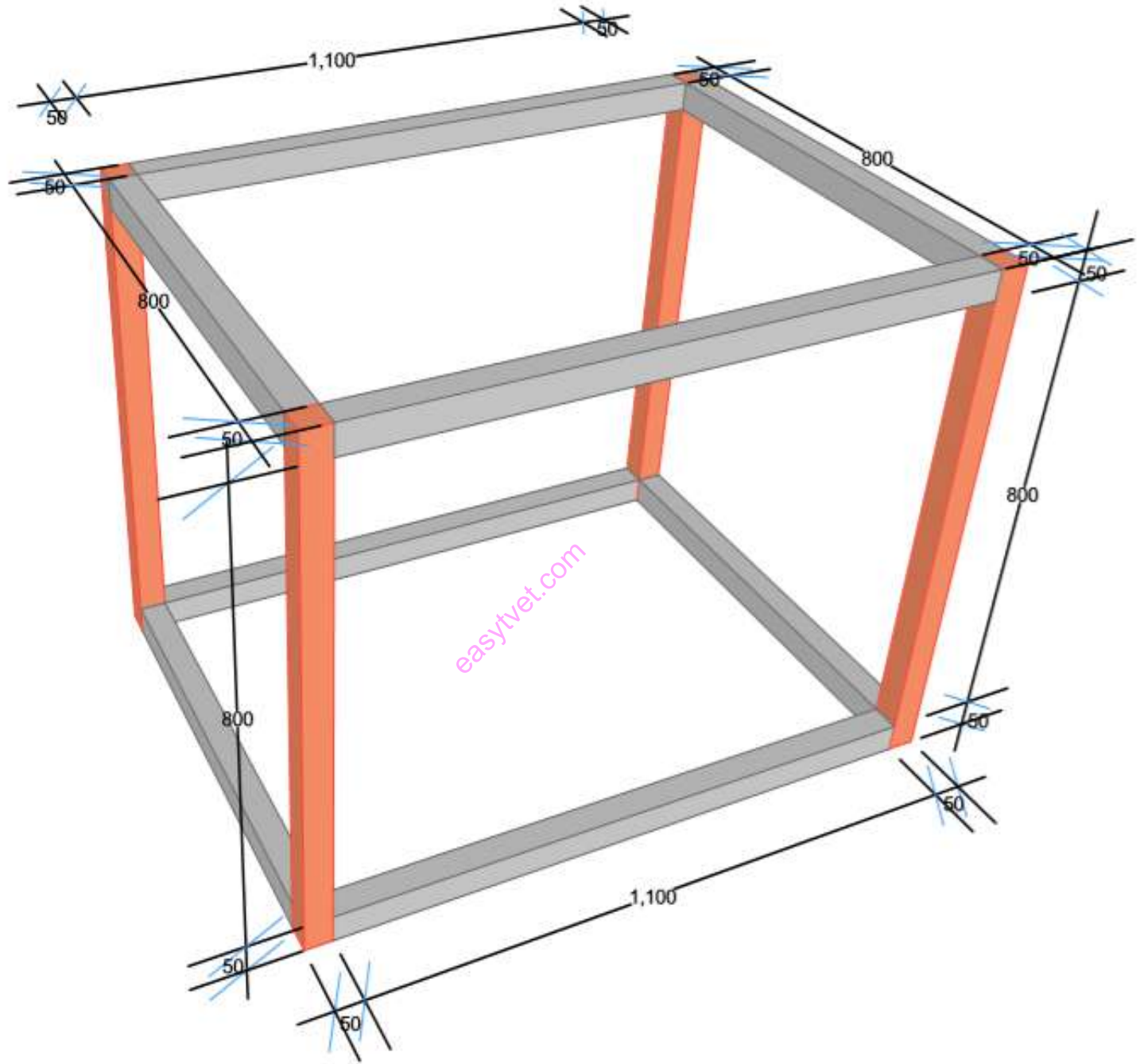
TIME: 8 HOURS

INSTRUCTIONS TO CANDIDATE

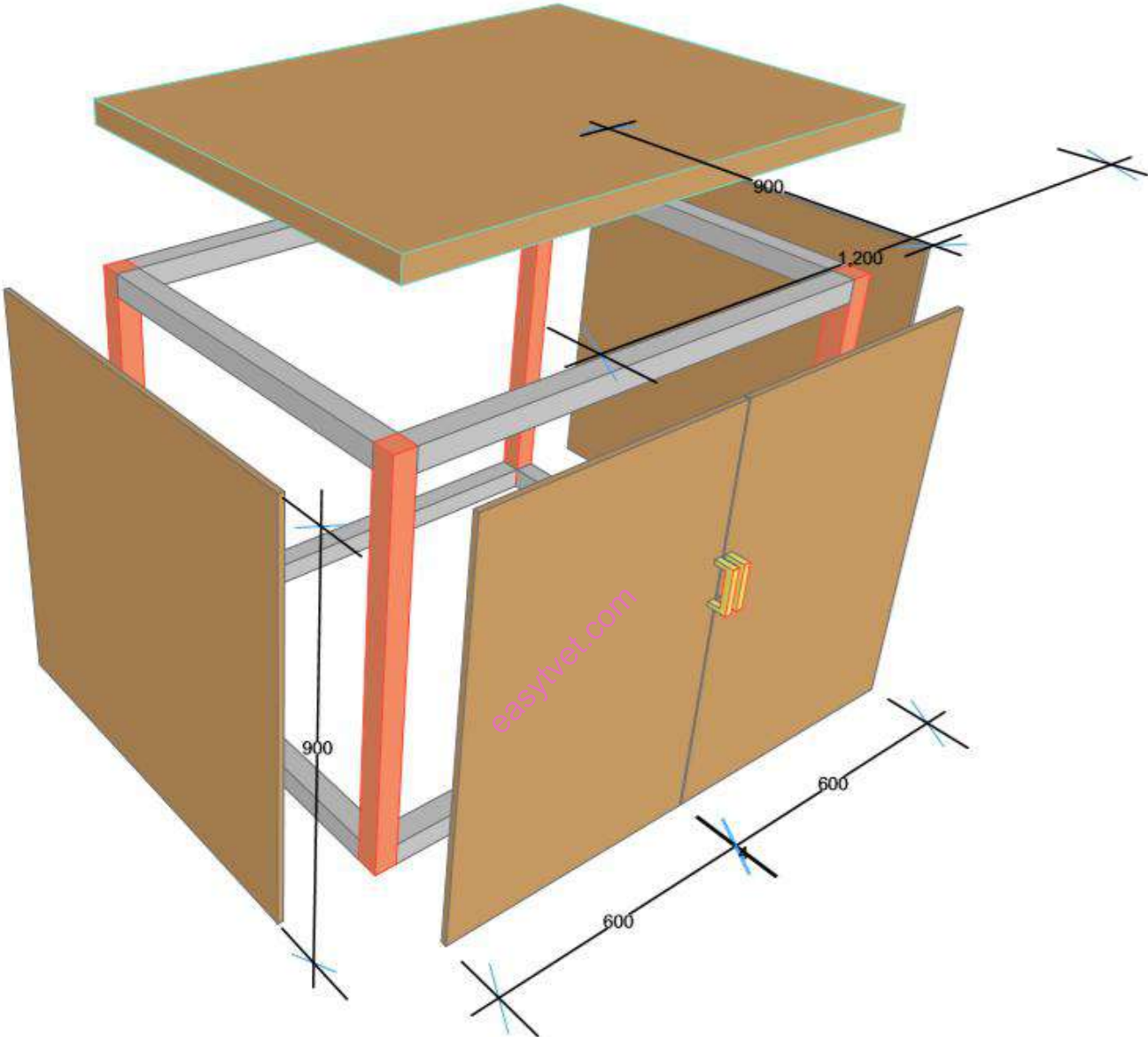
1. You are required to perform the following practical tasks
 - i. *TASK 1: Set up and prepare the floor and wall surface in preparation to receive kitchen cabinet installation.*
 - ii. *TASK 2: Mark 1200mm x900mmx900mm on the prepared floor and wall surfaces*
 - iii. *TASK 3: Assemble the kitchen cabinet framework as shown in Drawing 01*
 - iv. *TASK 4: Assemble the kitchen cabinet sides, top and the door handles as shown in Drawing 02*

2. You are provided with the following resources:

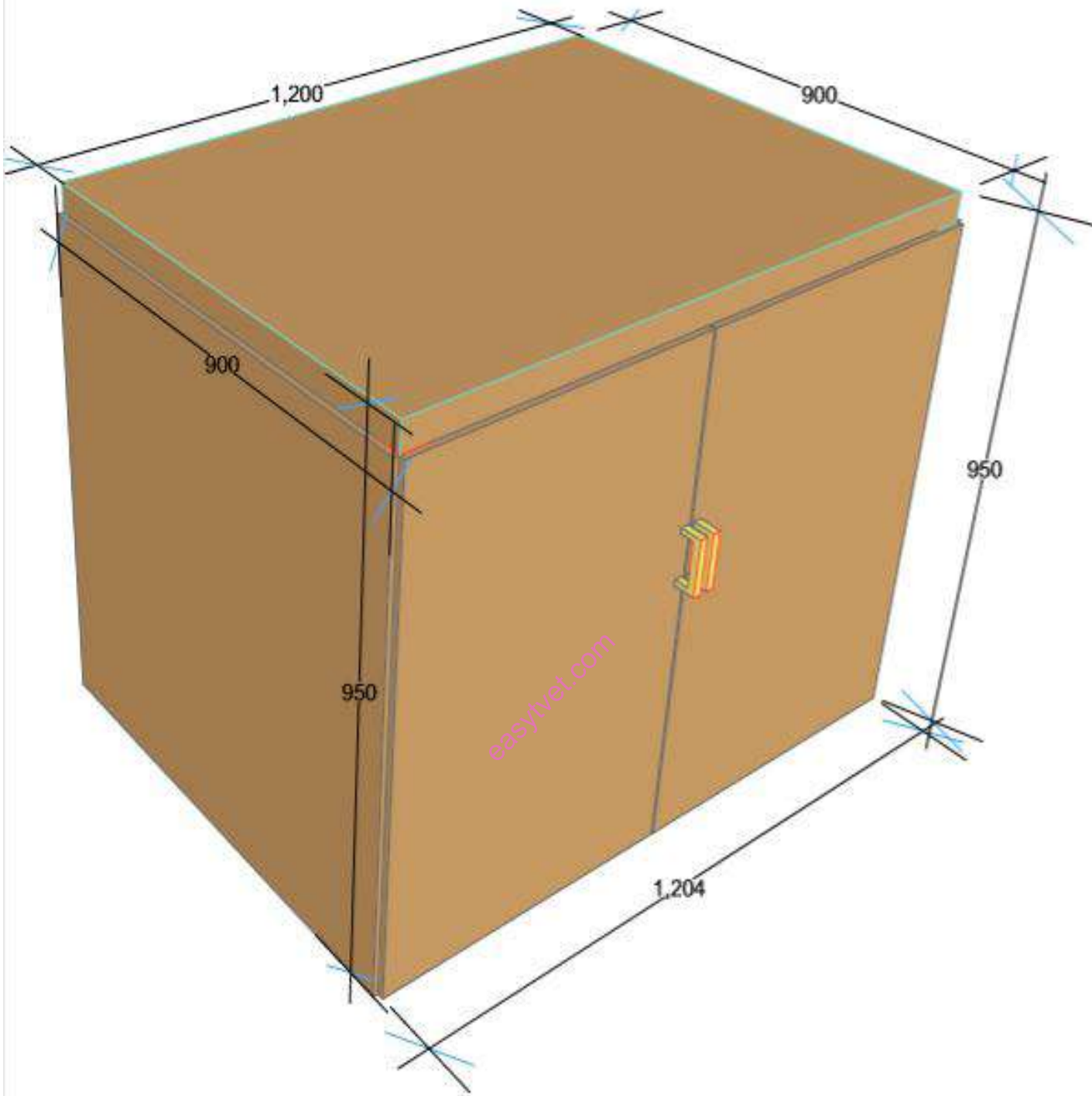
Tools/Equipment	Materials
<ul style="list-style-type: none"> • Scrub brush • Brush comb • Shovel • Tape Measure (5 M) • Builders line • Spirit level • Claw hammer • Power drill • Wood glue • Try-square • Hand saw • Tenon saw • Dust Coat/Overall • Safety boots • Leather Gloves • Mask 	<ul style="list-style-type: none"> • Sand paper • MDF Screws 1 ½ inches • MDF boards 1200mmx900 mm • MDF boards 900mmx900mm • Timber frame 50x50x900 mm • Timber frame 50x50x1100mm • Timber frame 50x50x800 mm • Kitchen cabinet door handles • Maple hinges 75mm • 4 inch nails • 2 inch nails • 3 inch nails



DRAWING 01



DRAWING 02



DRAWING 03

THIS IS THE LAST PRINTED PAGE