

**073205T4BLD**

**BUILDING TECHNICIAN LEVEL 6**

**CON/OS/BUT/CR/03/6**

**Produce Masonry Units**

**July/August 2025**



**TVET CURRICULUM DEVELOPMENT, ASSESSMENT AND CERTIFICATION  
COUNCIL (TVET CDACC)**

**PRACTICAL ASSESSMENT**

**Time: 6 HOURS**

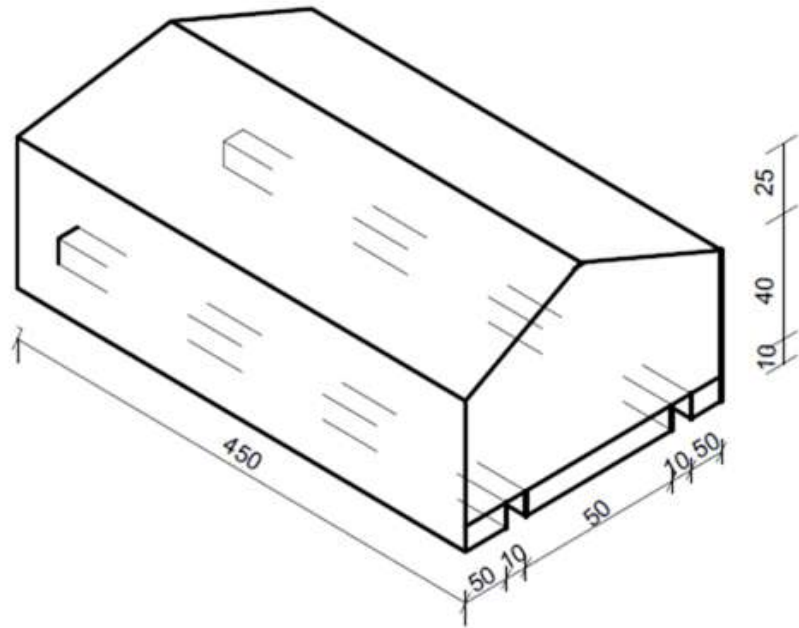
**INSTRUCTIONS TO CANDIDATE:**

1. You are required to perform the following tasks
  - i. Produce coping stone with slope 1:5:4 as shown in Diagram 1.
  - ii. Produce Stone dressing to the coped stone as shown in Diagram 2.
2. You have been provided with the following resources for the practical tasks:

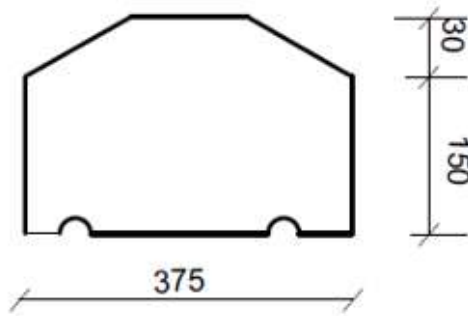
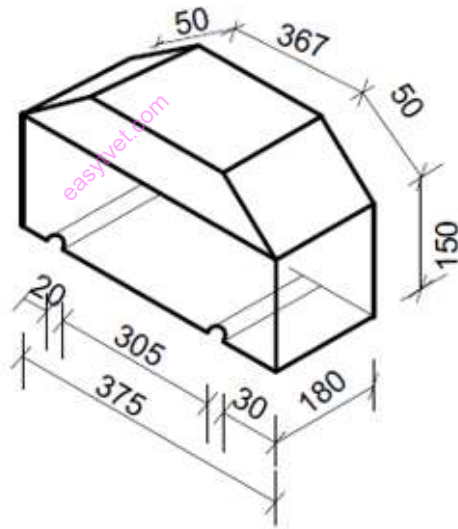
<b>Tools/Equipment:</b>	<b>Materials:</b>
-------------------------	-------------------

<ul style="list-style-type: none"><li>• Tape Measure (3 m)</li><li>• Steel float</li><li>• Spirit level</li><li>• Claw tool</li><li>• Flat Chisel</li><li>• Pointed chisel</li><li>• Mason Hammer</li><li>• 3-inch wire brush</li><li>• Mallet</li></ul>	<ul style="list-style-type: none"><li>• Water</li><li>• 225X225X450 mm Quarry Stone</li><li>• 3-inch nails</li></ul>
--	--

[easyvet.com](http://easyvet.com)



**DIAGRAM 1**



**DIAGRAM 2.**