

073203T4PLM

PLUMBING LEVEL 3

CON/OS/PL/CR/04/3

Maintain Plumbing Systems

March/April 2025



**TVET CURRICULUM DEVELOPMENT, ASSESSMENT AND CERTIFICATION
COUNCIL (TVET CDACC)**

PRACTICAL ASSESSMENT

Time: 3 HOURS

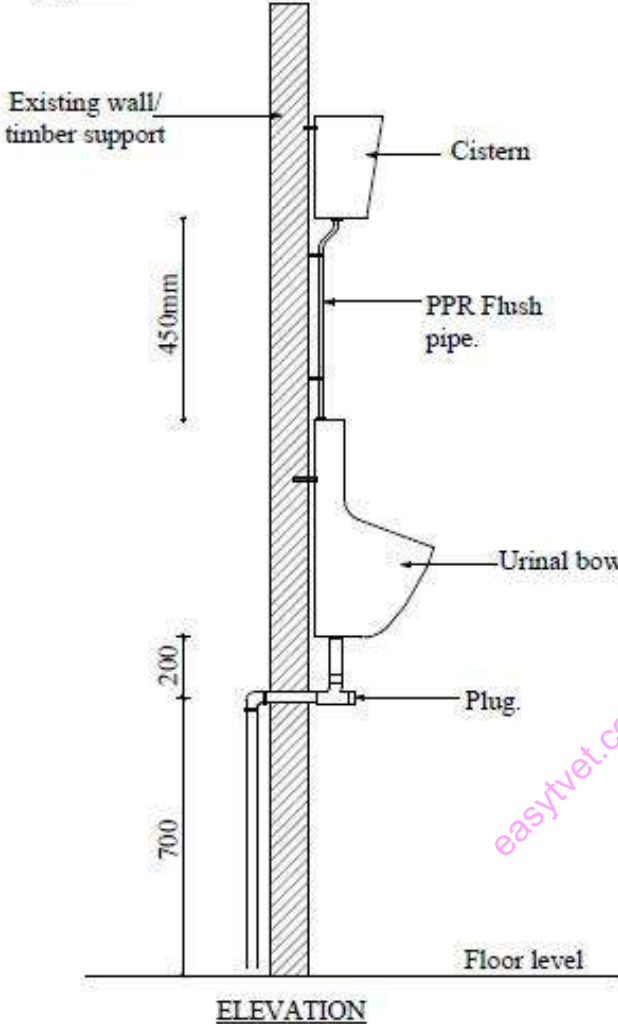
INSTRUCTIONS TO CANDIDATE:

1. You are provided with figure 1. In this assessment, you are required to complete the following tasks:
 - i. **TASK 1:** Assemble the system as shown and troubleshoot the faults.
 - ii. **TASK 2:** Identify materials and supplies that need repair or replacement and correct all plumbing faults.

2. You have been provided with the following resources for the practical tasks:

- Auto flush urinal cistern (small- complete set)
- Wall mounted urinal bowl (small- complete set)
- Urinal bowl water spreader
- Flexible tube
- PPR pipe
- PPR elbow – 45⁰
- PVC waste pipe
- PVC elbow
- PVC sanitary Tee
- PVC plug
- PVC female adapter
- Wall clips
- Nails
- GI female reducing socket
- Thread seal tape
- Tangit glue
- Basic plumbing tools and equipment

Figure 1.



easyvet.com