

073206T4BLD

BUILDING TECHNOLOGY LEVEL 6

CON/OS/BUT/CR/02/6/A

Execute Site Preliminary Works

March/April 2025



**TVET CURRICULUM DEVELOPMENT, ASSESSMENT AND CERTIFICATION
COUNCIL (TVET CDACC)**

PRACTICAL ASSESSMENT

TIME: 5 HOURS

INSTRUCTIONS TO CANDIDATE

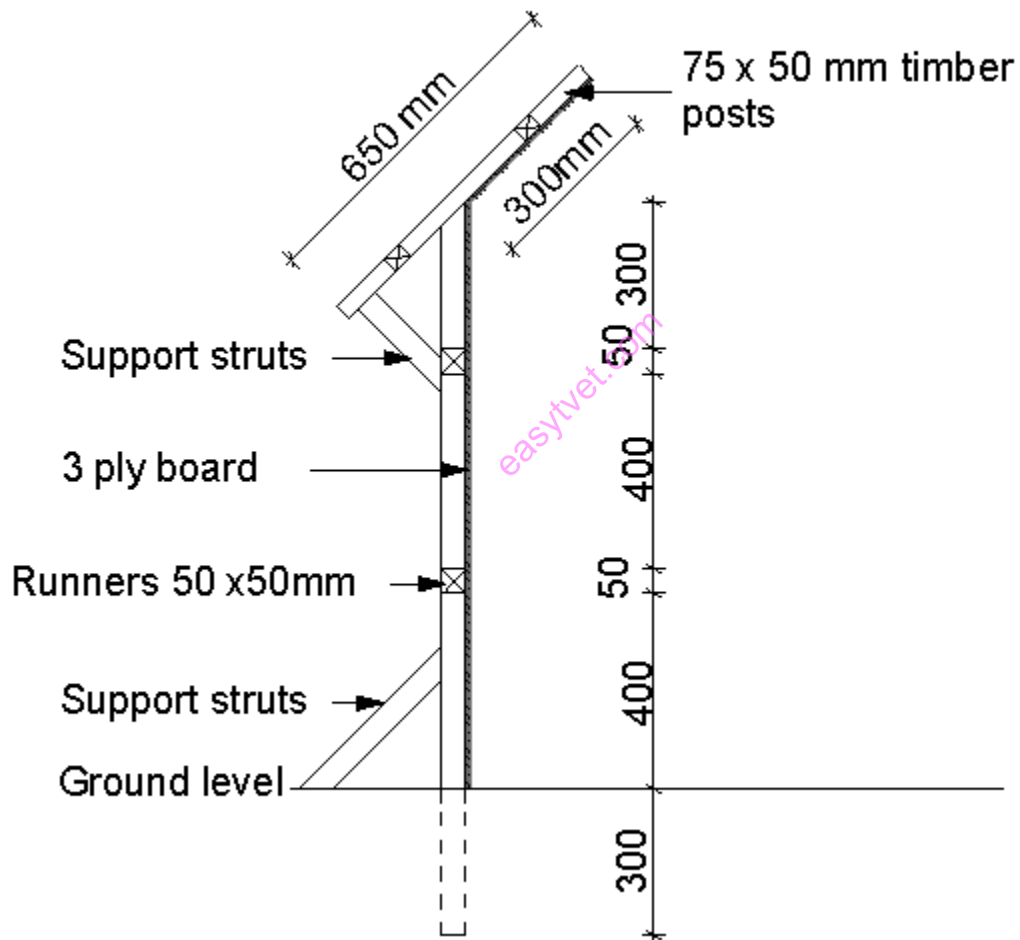
1. In this practical assessment you are required to perform the following task:
 - i. Construct a fan hoarding section as per working drawing provided below.*

2. You are provided with the following resources to carry out the task:

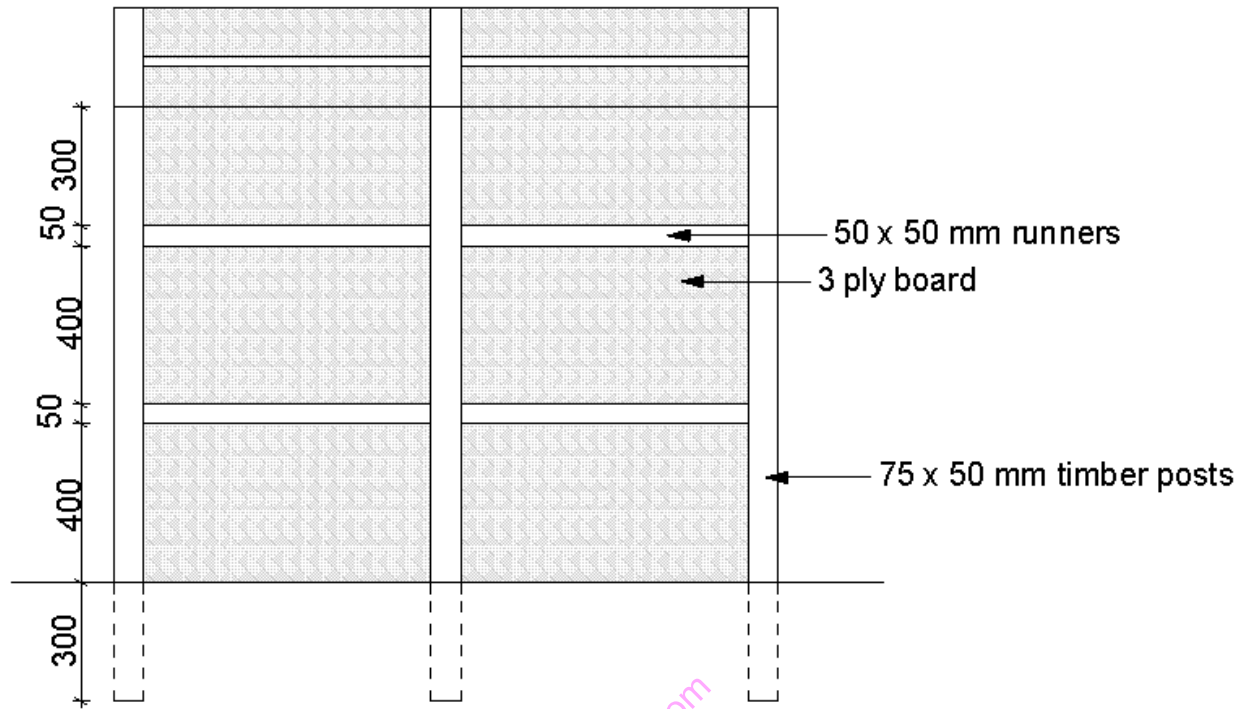
TOOLS/EQUIPMENT	MATERIALS
<ul style="list-style-type: none">• Hammer• Hand saw• Measuring tape• Carpenters square• Pencil• Panga	<ul style="list-style-type: none">• Hoarding panels – 1 piece 3 plywood(8 x 4)• 3 No. Timber (75mm x 50mm x 1500mm)• 1 No. Timber (75mm x 50mm x 2100mm)• 2 No. Timber (50mm x 50mm x 2800mm)• 30 Nails (3 inch)• 30 Nails (1 inch)

<ul style="list-style-type: none">• Shovel• Crow bar• Spirit level• Plumb bob• PPEs	
---	--

CROSS SECTION VIEW



INTERNAL VIEW



EXTERNAL VIEW

