

073203T4PLM

PLUMBING LEVEL 3

COS/OS/PL/CR/03/3/A

Install Storage and Pumping Systems.

March/April 2025



**TVET CURRICULUM DEVELOPMENT, ASSESSMENT AND CERTIFICATION
COUNCIL (TVET CDACC)**

PRACTICAL ASSESSMENT

Time: 6 HOURS

INSTRUCTIONS TO CANDIDATE:

1. You are required to perform the following task;
 - i. Install a water storage tank, piping system and a booster pump as shown in figure 1.

2. You have been provided with the following resources for the practical tasks:

- G.I Pipes
- PPR pipes
- G.I back nut
- G.I Nipple
- G.I Socket
- G.I plug
- G.I (back nut, elbow bend and control valve)
- G.I (union, socket, nipple, bend)
- Booster pump /centrifugal pump
- Gate valve
- Ball valve
- 100 Liters tank

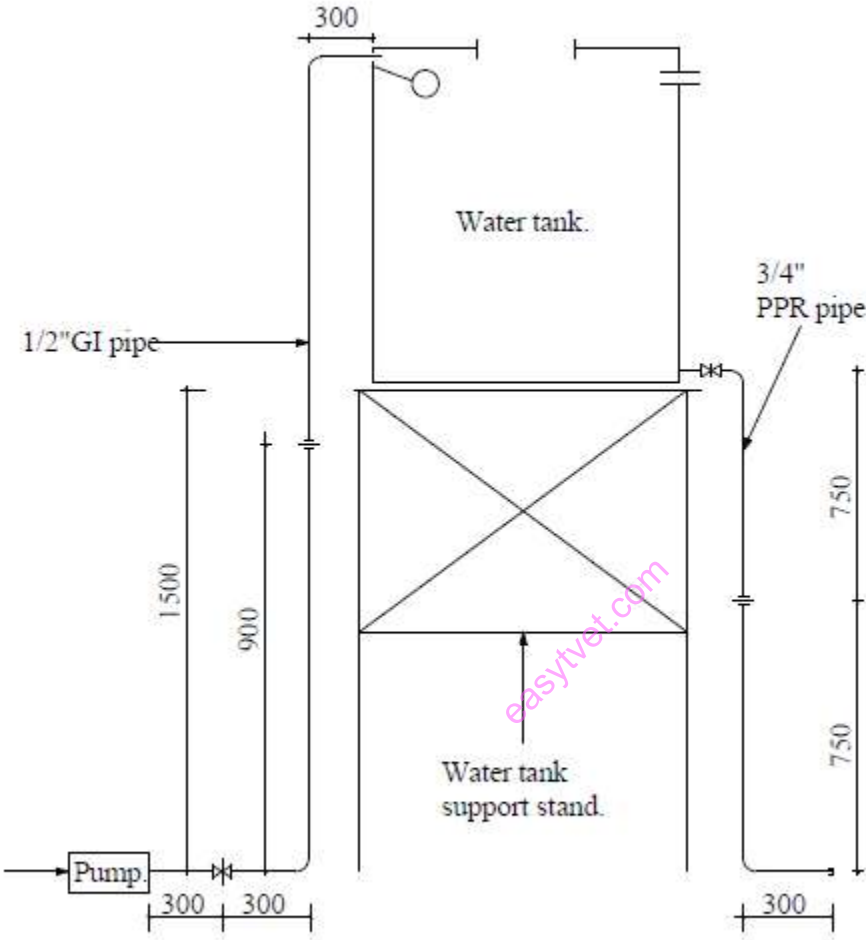


FIGURE 1.